



## WARN® 2000 DC Powered Utility Winch Ideal for use on trailers or hitch mounts

### A compact utility winch packed with full-sized features

The compact yet powerful WARN 2000 DC utility winch is great for a variety of tasks, whether it's loading a vehicle onto a trailer or simply moving a heavy load at the jobsite. With 2,000 lbs. of pulling capacity, a new easy-to-use clutch lever, and a corded remote, this light-duty winch is big on features and value.

- 2,000 lb. pulling capacity
- 35' of 3/16" wire rope and hawse fairlead
- Easy-to-use clutch control lever
- Corded remote control 12' lead

**PN 92000**





**WINCH MODEL:** WARN 2000 DC

**PART NUMBER:** PN 92000

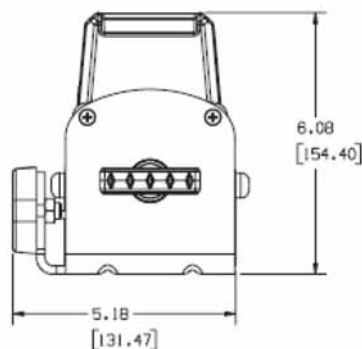
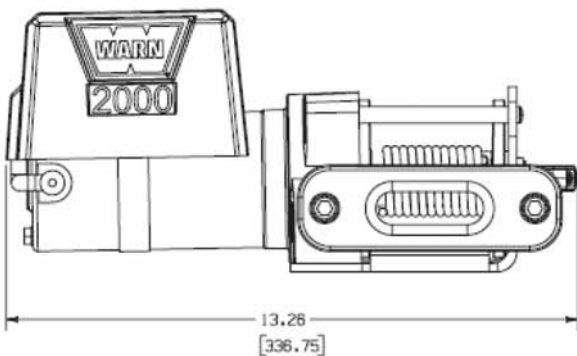
**RATED LINE PULL:** 2,000 lbs. (907 kgs)

**INTENDED USE/APPLICATION:** Light-Duty Trailer Loading, Utility

- GREAT QUALITY AND VALUE
- 35' (10.7M) OF WIRE ROPE
- COMPACT SIZE FITS ALMOST ANYWHERE

**12V DC performance specs** (first layer of drum)

Load		Current Amps	Speed		Layer	Pulling Power by Wire Rope Layer	
Lbs.	Kg		Ft/min	M/min		lbs.	kg
0	0	6.7	7.2	2.2	1	2000	907
500	226.8	24.1	6.8	2.0	2	1504	683
1000	453.6	44.7	5.7	1.7	3	1348	612
1500	680.4	72.0	4.8	1.4	4	1222	555
2000	907	80.0	4.2	1.3	5	1117	507



**Specifications:**

**Brake:** Self-locking gear train (Rated Load Holding)

**Switch Type:** Remote Control

**Motor:** Permanent Magnet

**Wire Rope:** 3/16" X 35' (10.7 m)

**HP:** 1.6 HP 3.0"

**Power:** 12 volt DC

**Gear Train:** Split Ring Gear

**Clutch:** Knob, pull and turn

**Drum Diameter:** 1-1/4 in. (3.18 cm)

**Fairlead:** Hawse

**Hole Pattern:** 2 Holes on 3.1" (7.87 cm) center

**Gear Ratio:** 153:1

**Electrical Leads:** 2 - 6' (1.8 m)

**Weight:** 18 lbs. (8.2 kg.)

**Warranty:** 1 year limited

Warn Industries, Inc.  
12900 S.E. Capps Road,  
Clackamas, OR USA 97015-8903

Customer Service (North America): 1-800-543-9276  
International Sales Support: +1 503 722 1200

